

Customer Notification



Notification No.: 20170201

Version: 1.0

Page: 1 of 2

Release Date: February 01, 2017

Effective Date: February 01, 2017

Notification Status: Advisory Mandatory Announcement

Classification: Firmware Hardware Policy/Procedure

Description: DBV[®]-500 Model Description Change (DBV-500-S)

Hardware: DBV[®]-500 Banknote Validator

Territory: All

Interface: N/A

Check Sum: N/A

Firmware Version(s): N/A

CRC (seed = 0000): N/A

Conditions:

JCM Engineering identified several product improvements during the development of the DBV-500-R (Russian Central Bank Certified) Banknote Validator. These improvements have been implemented into the existing DBV-500 Banknote Validator, which is being renamed from DBV-500 to DBV-500-S.

Resolution:

The following chart identifies the differences between the DBV-500, DBV-500-R and DBV-500-S Models:

Changes from DBV-500	Model DBV-500-R	Model DBV-500-S
Feature changes	UV Reflection Sensor Magnetic Validation Note Width Detection	No Change from DBV-500
Component changes	Updated CPU Updated Upper Sensor PCB Power Harness for Upper Sensor PCB	Updated CPU Updated Upper Sensor PCB Power Harness for Upper Sensor PCB
Transport/Housing	Transport Drive Rollers Configuration Transport Idler Rollers Configuration Added two (2) Additional Idler Rollers Upper Cover	Transport Drive Rollers Configuration Transport Idler Rollers Configuration Upper Cover
Upper Cover Height Dimension	Increased by 2.4mm	Increased by 2.4mm

The overall DBV-500-R and DBV-500-S Unit and Mounting Dimensions have not changed from Model DBV-500. See Page 2 for illustrations of the DBV-500-R and DBV-500-S Upper Cover Modification.

Production of the Model DBV-500 will end and Model DBV-500-S will begin in March, 2017.

Note:

This notification reflects current information available at time of publication. This information is subject to change without notice. Please contact your local JCM Sales Representative or JCM Customer Service for additional information.

Customer Notification



Notification No.: 20170201

Version: 1.0

Page: 2 of 2

Release Date: February 01, 2017

Effective Date: February 01, 2017

Notification Status: Advisory Mandatory Announcement

Classification: Firmware Hardware Policy/Procedure

Description: DBV®-500 Model Description Change (DBV-500-S)

Hardware: DBV®-500 Banknote Validator

Territory: All

Interface: N/A

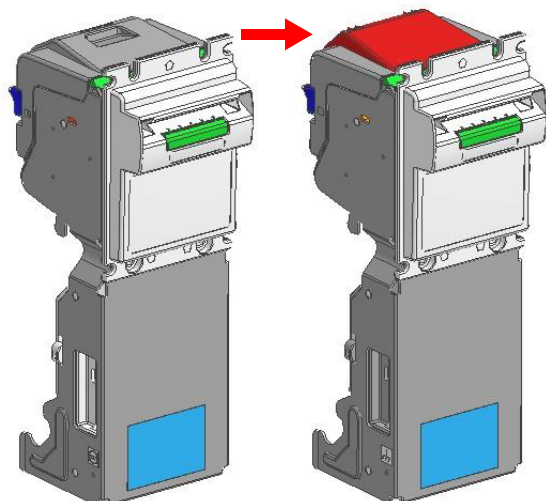
Check Sum: N/A

Firmware Version(s): N/A

CRC (seed = 0000): N/A

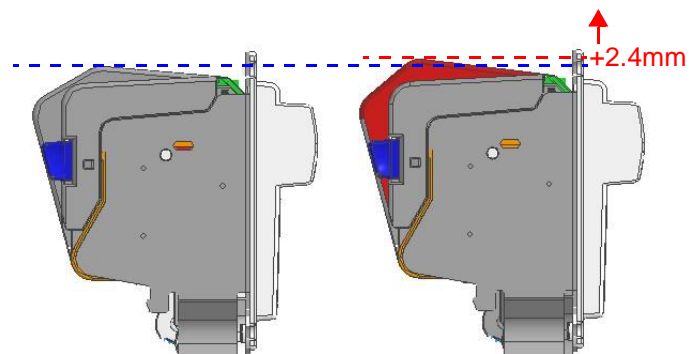
Resolution (continued):

The following illustrations identify the Upper Cover Configuration 2.4mm height increase in the DBV-500-R and DBV-500-S Units.



DBV-500

DBV-500-R/DBV-500-S



DBV-500

DBV-500-R/DBV-500-S

For more information about product upgrade availability and the latest JCM product innovations, contact your local JCM Sales Representative.

Note:

This notification reflects current information available at time of publication. This information is subject to change without notice. Please contact your local JCM Sales Representative or JCM Customer Service for additional information.

JCM Global® Corporation • 925 Pilot Road • Las Vegas, Nevada 89119
Phone 800-683-7248 or 702-651-0000 • Fax: 702-644-5512
Email: sales@jcmglobal.com

JAPAN CASH MACHINE CO., LTD. (HQ) •
2-3-15, Nishiwaki, Hirano-ku, Osaka, 547-0035 JAPAN
Phone +81-6-6703-8400 • Fax: +81-6-6707-0348
Email: Shohin@jcm-hq.co.jp

JCM EMEA • Mündelheimer Weg 60 D-40472 • Düsseldorf, Germany
Tel 49-211-530645-0 • Fax: 49-211-53064545
Email: sales@jcmglobal.eu

JCM Gold (HK) LTD. • Unit 1-7, 3-F., • Favor Industrial Centre,
2-6 Kin Hong Street, Kwai Chung, N.T. Hong Kong
Tel +852-2429-7187 • Fax: +852-2929-7003
Email: asiassupport@jcmglobal.com